

---

# Slimed

*Lemi*<sup>®</sup>

## **Ideal for: Orthodontics.**

The Slimed chair is specifically designed for **orthodontics**, extremely **competitive in terms of quality/price** and characterized by a **very low minimum height** to allow also children to easily sit down.

Thanks to the backrest adjustable by gas spring, the specialist can choose the right inclination to reach the most comfortable working position.

The practical leg support can be regulated by means of a gas spring to offer customers the highest comfort during the examination.

The ergonomic mattress and the support for LED lamp complete the chair configuration; the base has a small footprint that allows the doctor to work very close to the patient's mouth.

It is provided with adjustable head support.

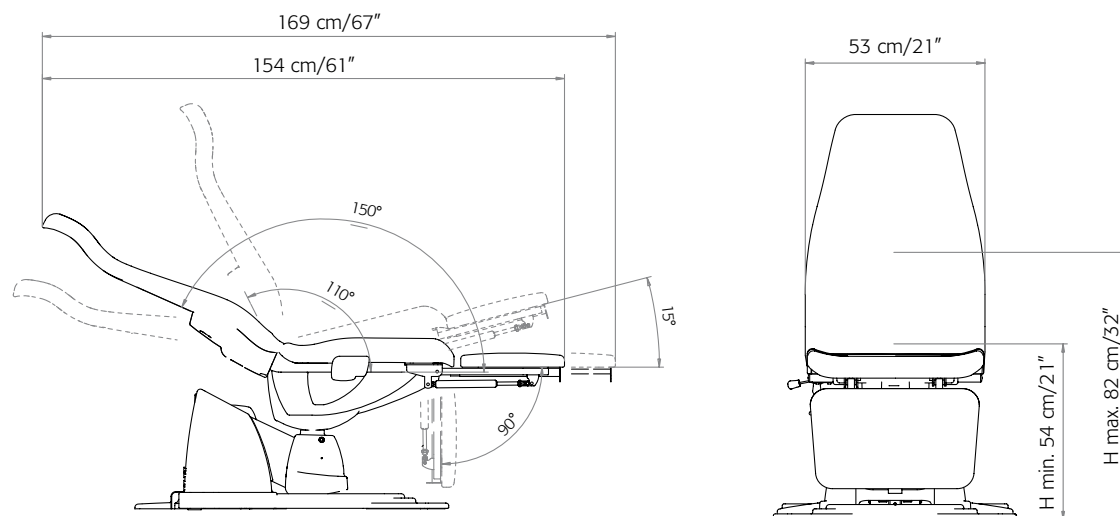


# Technical specifications

Slimed cod. 215

Accessories upon request

## Table of dimensions



bat armrest  
couple  
cod. 210

## Colours

The plastic covering is available in grey color only.  
The mattress can be manufactured in over 50 colours.

## Packaging details

Packaging size:  
cm 130 x 120 x 120 h (51" x 47" x 47")  
Gross weight: 75 kg (166 lbs)  
Net weight: 57 kg (126 lbs)  
Volume: 1.87 m<sup>3</sup>

## Electric requirements

Voltage: 230V ac  
Frequency: 50 Hz  
Absorption: 0.70 Amp max

## Warranty

Electrical parts 2 years;  
mattress 5 years;  
metal structure 10 years.

Slimed is CE conformed and is manufactured in accordance with European Directives: 2006/42/CE; 2004/108/CE; 2006/95/CE. CEI EN 60204-1:2006-09; UNI EN 12100-1-2:2009; UNI EN 349 (2008)

